



THE DISPLAY CHOICE  
OF PROFESSIONALS™

[displays.agneovo.com](http://displays.agneovo.com)

DS-55 Dual-Sided Display  
**User Manual**

# TABLE OF CONTENTS

<b>Safety Information</b> .....	<b>1</b>
Federal Communications Commission (FCC) Notice (U.S. Only) .....	1
CE .....	2
<b>Important Safety Instructions</b> .....	<b>3</b>
1.1 Safety precautions and maintenance .....	3
1.2 Use .....	6
1.3 Installation Notes .....	9
<b>Package Content</b> .....	<b>11</b>
2.1 Unpacking .....	11
2.2 Accessories .....	12
2.3 Overview .....	13
<b>Setting Up the Display</b> .....	<b>15</b>
3.1 Step 1 : Putting the dual-sided display upside .....	15
3.2 Step 2 : Remove the three I/O covers on the sides .....	16
3.3 Step 3 : Remove the downside cover .....	17
3.4 Step 4 : Link power box to dual side display .....	18
3.5 Step 5 : Connect by HDMI connector .....	20
3.6 Step 6 : Reinstall the downside cover and I/O covers .....	21
3.7 Step 7 : Connect the power cord .....	22
3.8 Step 8 : Using the Remote Control .....	23
3.9 OSD Setting Menu .....	24
<b>Trouble shooting</b> .....	<b>28</b>
<b>Specifications</b> .....	<b>29</b>
<b>Product Dimensions</b> .....	<b>31</b>

# Safety Information

## Federal Communications Commission (FCC) Notice (U.S. Only)



This equipment has been tested and found to comply with the limits for a Class A digital device, pursuant to part 15 of the FCC Rules. These limits are designed to provide reasonable protection against harmful interference when the equipment is operated in a commercial environment. This equipment generates, uses, and can radiate radio frequency energy and, if not installed and used in accordance with the instruction manual, may cause harmful interference to radio communications. Operation of this equipment in a residential area is likely to cause harmful interference in which case the user will be required to correct the interference at his own expense.



Changes or modifications not expressly approved by the party responsible for compliance could void the user's authority to operate the equipment.

Use only an RF shielded cable that was supplied with the display when connecting this display to a computer device.

To prevent damage which may result in fire or shock hazard, do not expose this appliance to rain or excessive moisture.

**THIS CLASS A DIGITAL APPARATUS MEETS ALL REQUIREMENTS OF THE CANADIAN INTERFERENCE CAUSING EQUIPMENT REGULATIONS.**



This device complies with part 15 of the FCC Rules. Operation is subject to the following two conditions: (1) This device may not cause harmful interference, and (2) this device must accept any interference received, including interference that may cause undesired operation.

# Safety Information

**CE**



**WARNING:**

This equipment is compliant with Class A of EN55032/CISPR 32. In a residential environment this equipment may cause radio interference.

# Important Safety Instructions

## 1.1 Safety precautions and maintenance



### **WARNING:**

Use of control, adjustments or procedures other than those specified in this documentation may result in exposure to shock, electrical hazards and/or mechanical hazards.

### **Read and follow these instructions when connecting and using your display:**

#### **Operation:**

- Keep the display out of direct sunlight and away from stoves or any other heat sources.
- Remove any object that could fall into ventilation holes of power box or prevent proper cooling of the display's electronics.
- Don't block the ventilation holes on the power box.
- When positioning the display, make sure the power plug and outlet are easily accessible.
- When turning off the display by detaching the power cord, wait 6 seconds before re-attaching the power cord for normal operation.
- Ensure the use of an approved power cord provided by AUO at all times. If your power cord is missing, please contact your local service center.
- Don't subject the display to severe vibration or high impact conditions during operation.
- Don't knock or drop the display during operation or transportation.
- Provide an earthing connection before the mains plug is connected to the mains. And, when disconnecting the earthing connection, be sure to disconnect after pulling out the mains plug from the mains.

# Important Safety Instructions

## Maintenance:

- To protect your display from possible damage, do not put excessive pressure on the display.
- Unplug the display if you are not going to use it for an extensive period of time.
- Unplug the display if you need to clean it with a slightly damp cloth. The screen may be wiped with a dry cloth when the power is off. However, never use organic solvent, such as, alcohol, or ammonia-based liquids to clean your display.
- To avoid the risk of shock or permanent damage to the set, do not expose the display to dust, rain, water or an excessively moist environment.
- If your display becomes wet, wipe it with dry cloth as soon as possible.
- If a foreign substance or water gets in your display, turn the power off immediately and disconnect the power cord. Then remove the foreign substance or water.
- Don't store or use the display in locations exposed to heat, direct sunlight or extreme cold.

# Important Safety Instructions

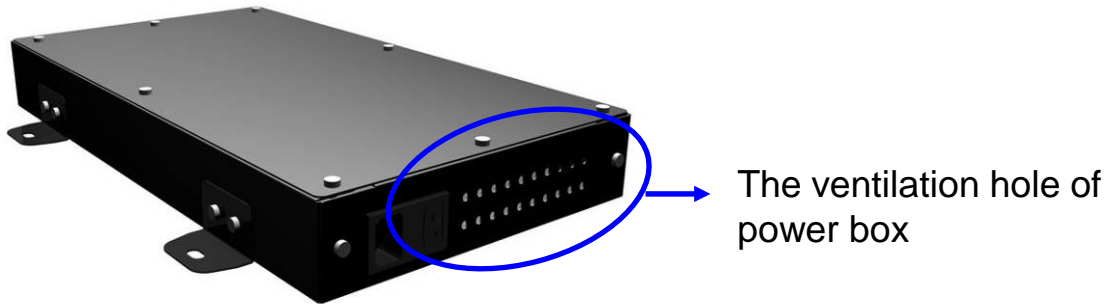
## Read and follow these instructions when connecting and using your display:

- Unplug the display if you are not going to use it for an extensive period of time.
- Unplug the display if you need to clean it with a slightly damp cloth. The screen may be wiped with a dry cloth when the power is off. However, never use alcohol, solvents or ammonia-based liquids.
- Keep the display out of direct sunlight and away from stoves or any other heat sources.
- Remove any object that could fall into the vents or prevent proper cooling of the display's electronics.
- Don't block the ventilation holes on the power box.
- Keep the display dry. To avoid electric shock, do not expose it to rain or excessive moisture.
- When turning off the display by detaching the power cable or DC power cord, wait for 6 seconds before re-attaching the power cable or DC power cord for normal operation.
- When positioning the display, make sure the power plug and outlet are easily accessible.
- Consult a service technician if the display does not operate normally after having followed the instructions in this manual.

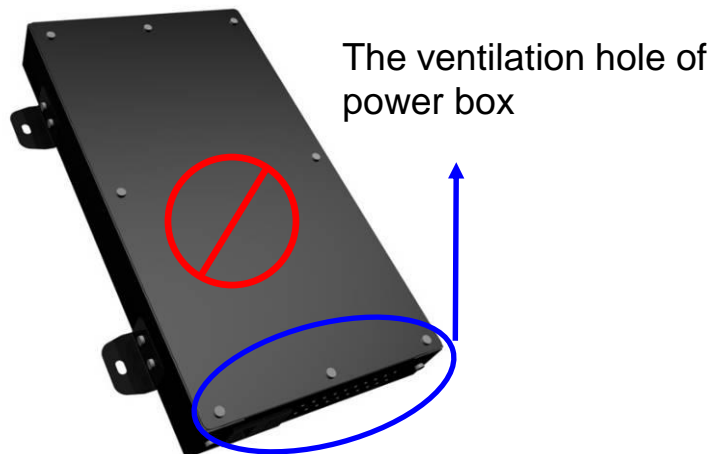
# Important Safety Instructions

## 1.2 Use

- **Don't turn the ventilation hole of Power Box upside down. As shown in the picture below.**



**It is prohibited to turn the ventilation hole of Power Box upside down.**



**It is prohibited to place tilt**

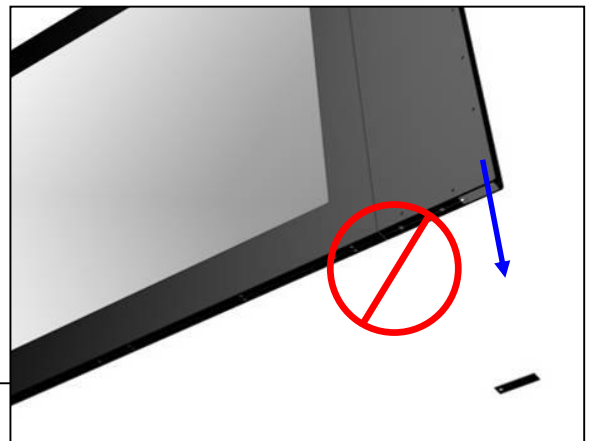
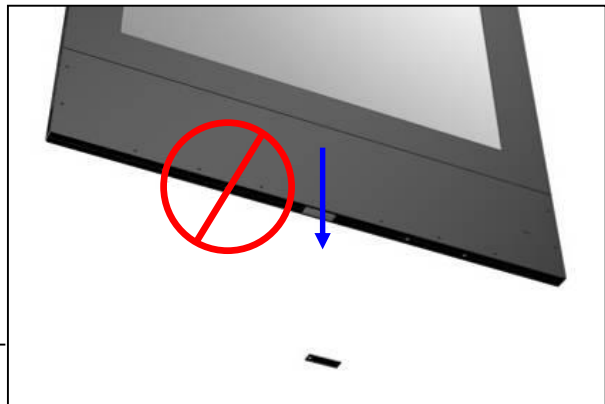


# Important Safety Instructions

- When you install the display, please don't use the "bottom side" I/O hole and open the I/O cover . As shown in the picture below.



The "bottom side" I/O cover can't be opened.

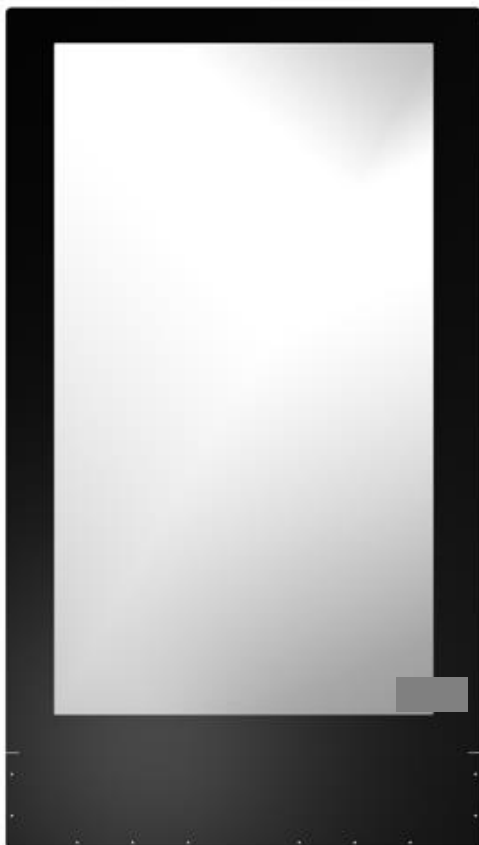


# Important Safety Instructions

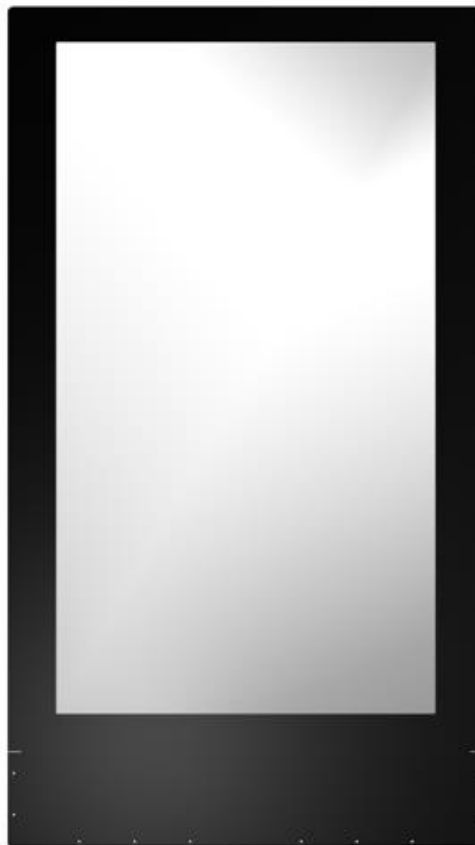
## Remote Controller Precautions:

- This product requires remote switch (ON/OFF) from Front Side ; the Back Side only has OSD function operated by remote controller.

**Front Side (450 nits)**



**Back Side (450 nits)**



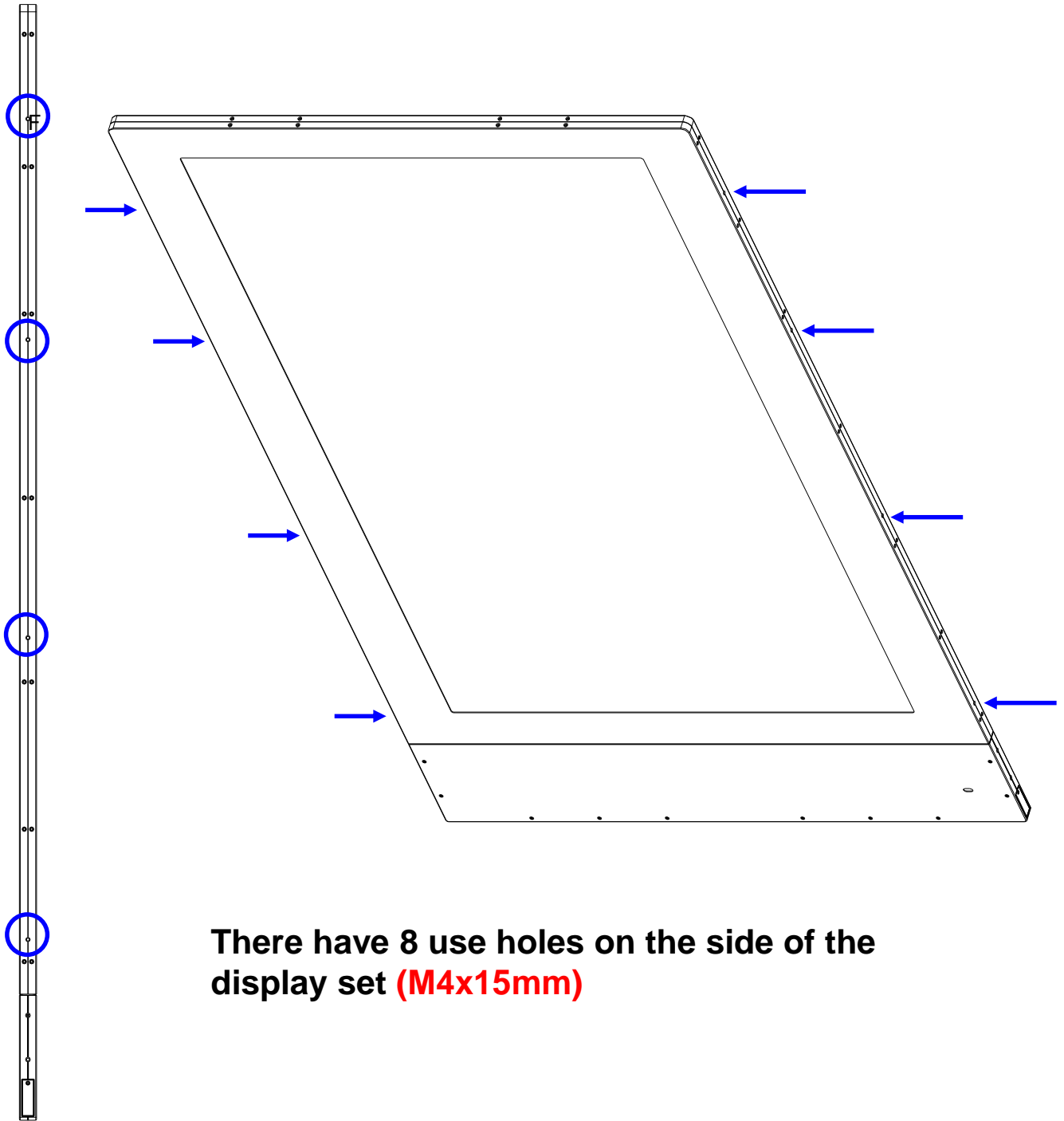
The Front Side have a product label.

## Disconnect devices:

- For pluggable equipment, the socket-outlet shall be installed near the equipment and shall be easily accessible.

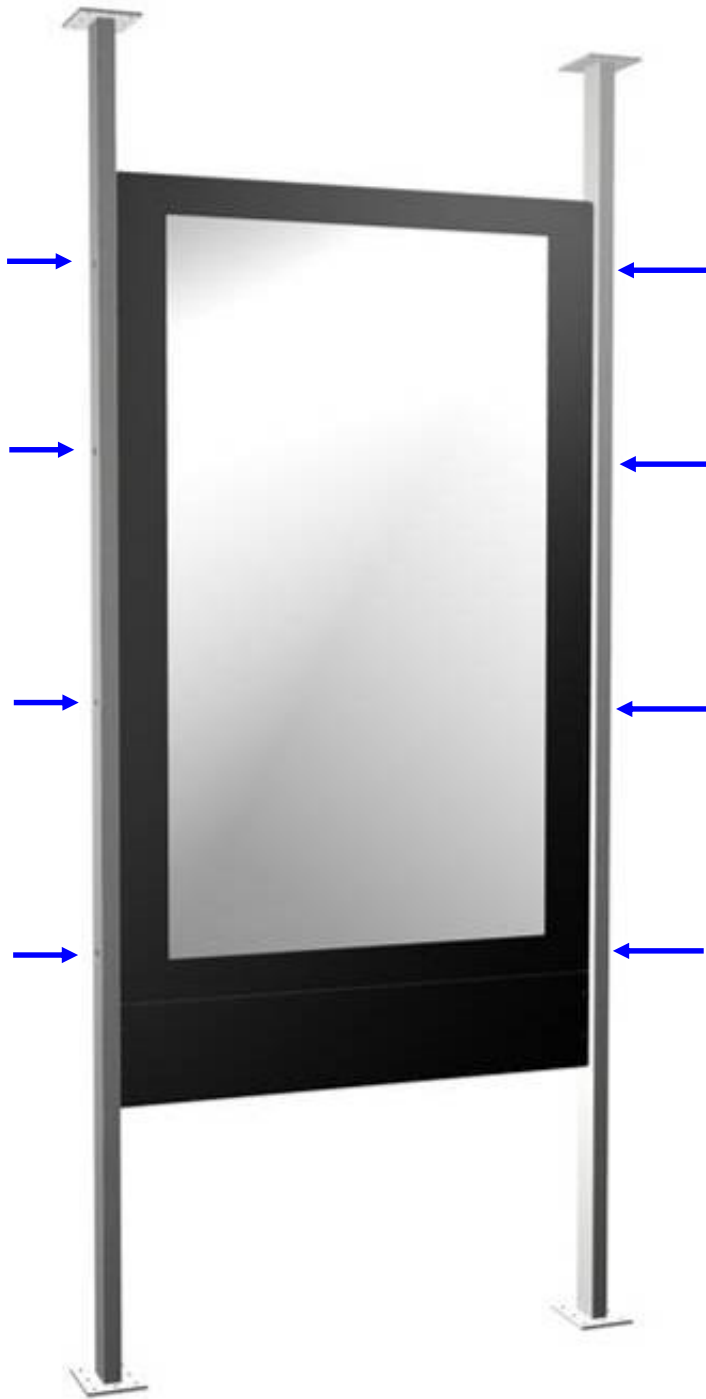
# Important Safety Instructions

## 1.3 Installation Notes



There have 8 use holes on the side of the display set **(M4x15mm)**

# Important Safety Instructions



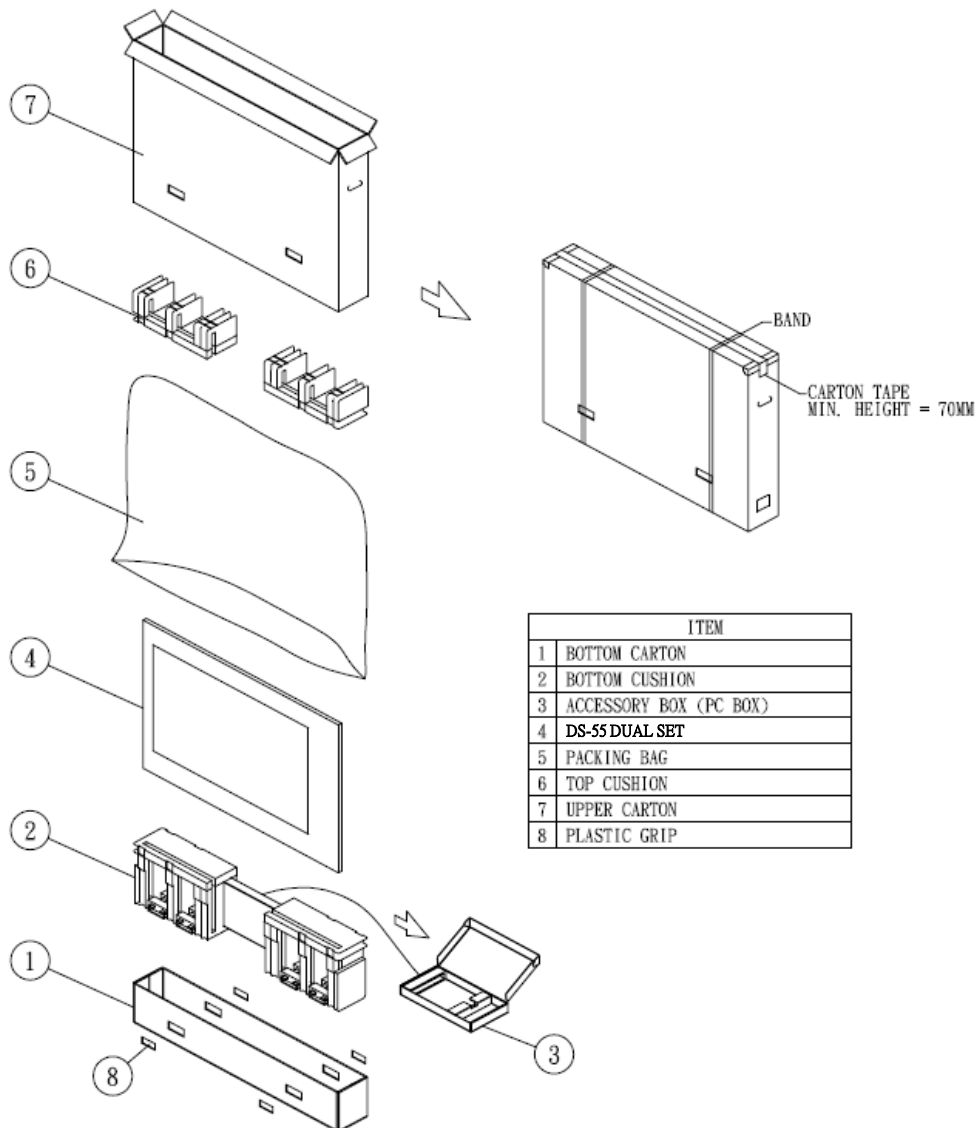
**Please make sure you have a solid installation. As shown in the picture.**

**You can install the display set by screws x 8  
(M4x15mm)**

# Package Content

## 2.1 Unpacking

- This product is packed in a carton, together with the standard accessories.
- Due to the size and weight of this display it is recommended for two people to move it.
- After opening the carton, ensure that the contents are complete and in good condition.



# Package Content

## 2.2 Accessories



**Dual Side Display x1**



**PC Box x1**  
**(with 24V&12V line)**



**Power Cord x1**



**Remote Controller x1**  
**(Battery : CR 2025 3V)**

# Package Content

## 2.3 Over View

Top View



Diagonal View



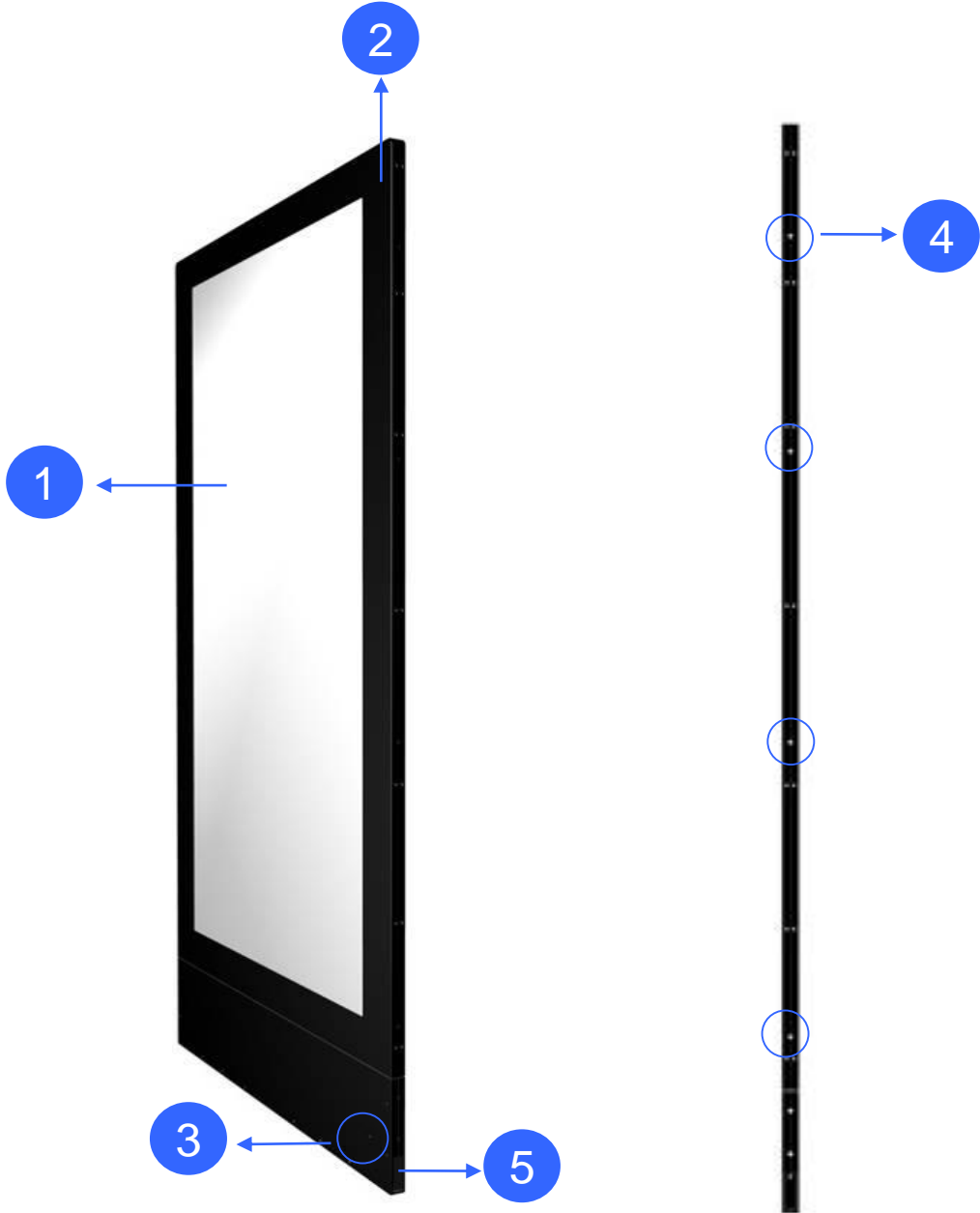
Front View



Side View



# Package Content

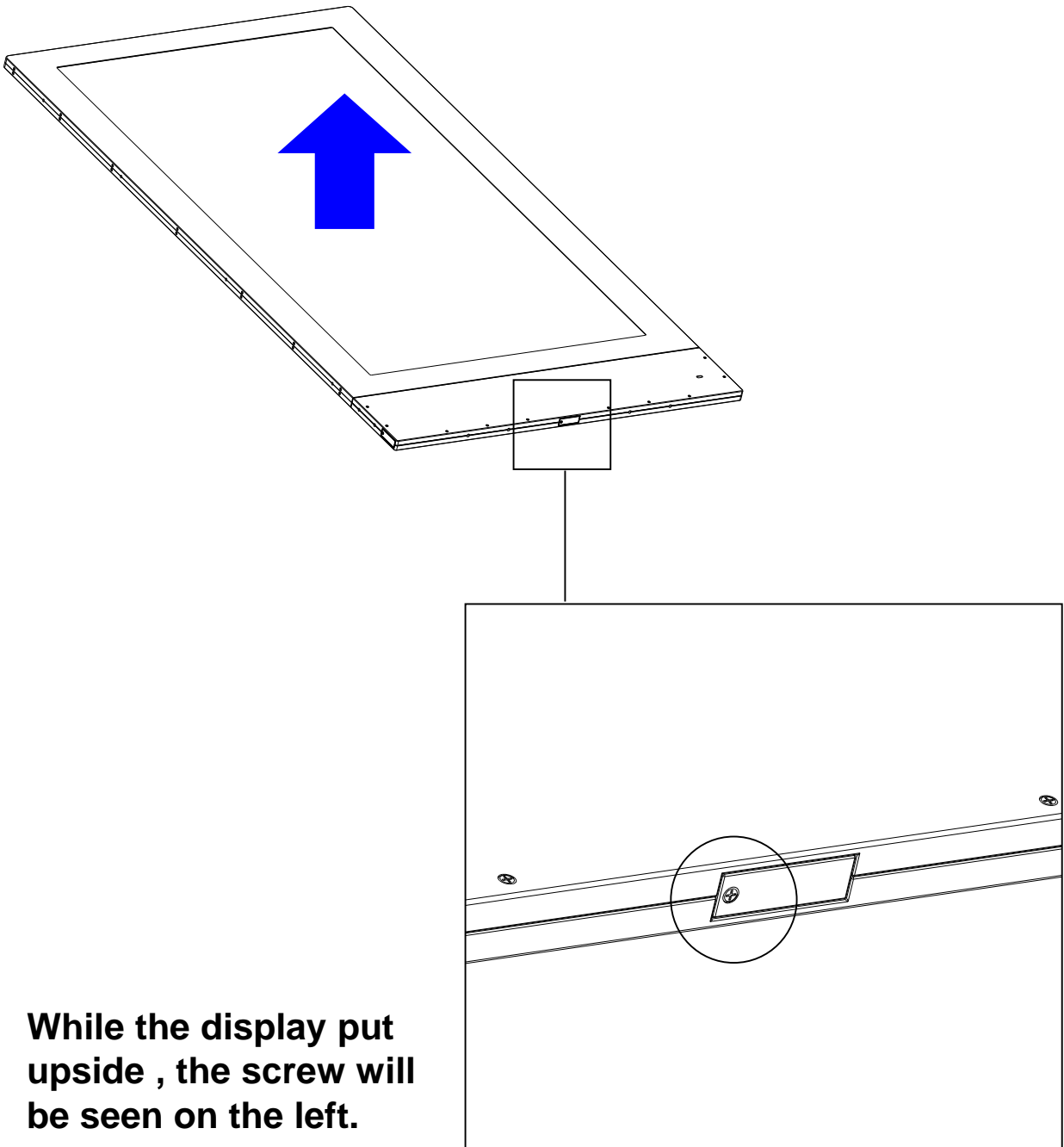


1. Display (Dual-sided)
2. Display Set
3. Remote control sensor (Dual-sided)
4. Use hole x 8 (single side have 4)
5. I/O cover x 3



# Setting Up The Display

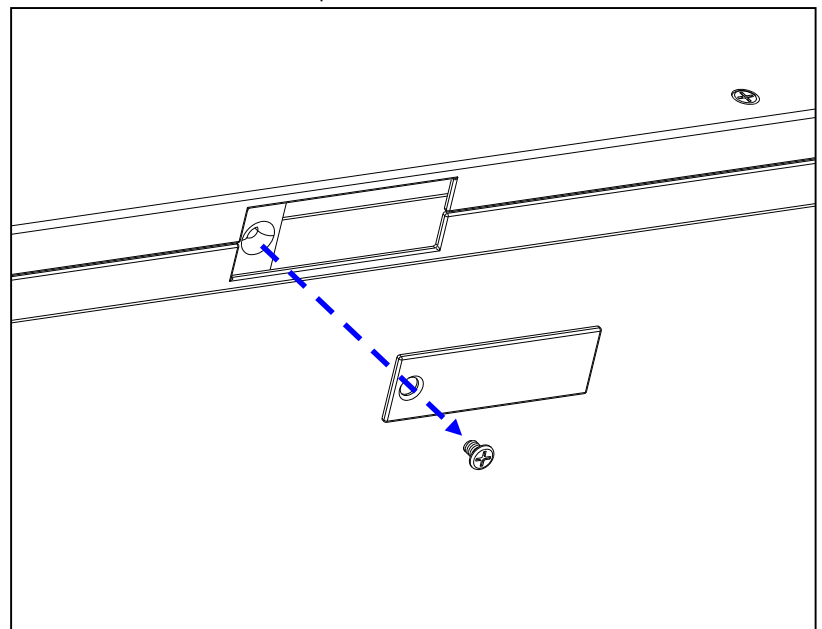
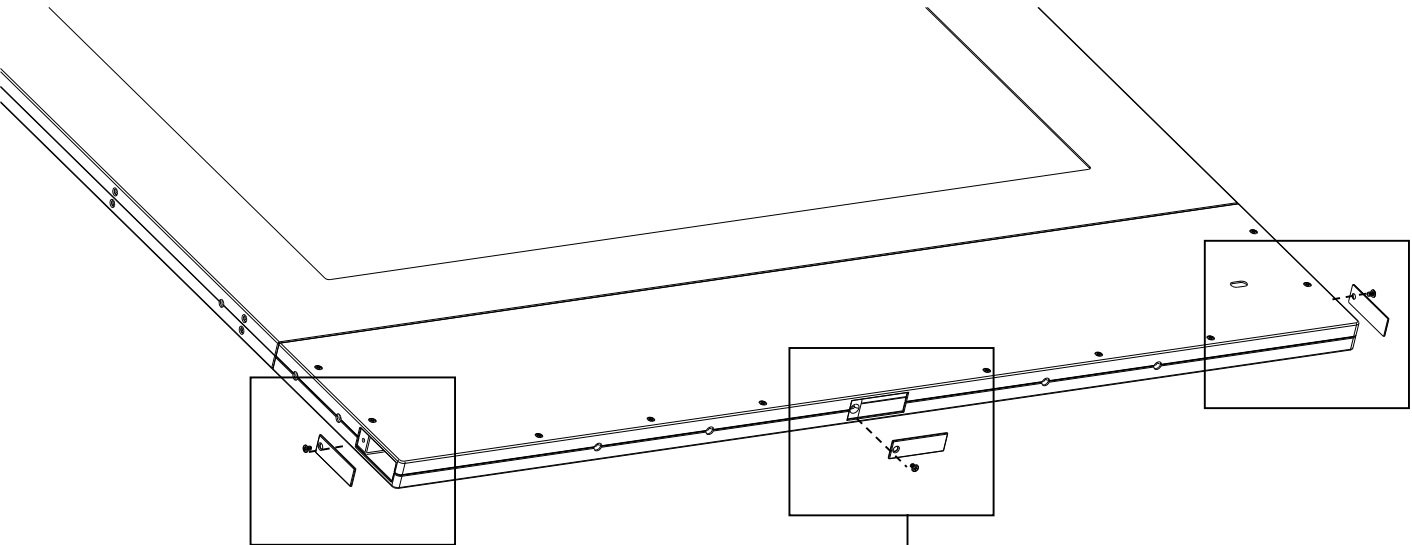
## 3.1 Step 1 : Putting the dual-sided display upside



**While the display put upside , the screw will be seen on the left.**

# Setting Up The Display

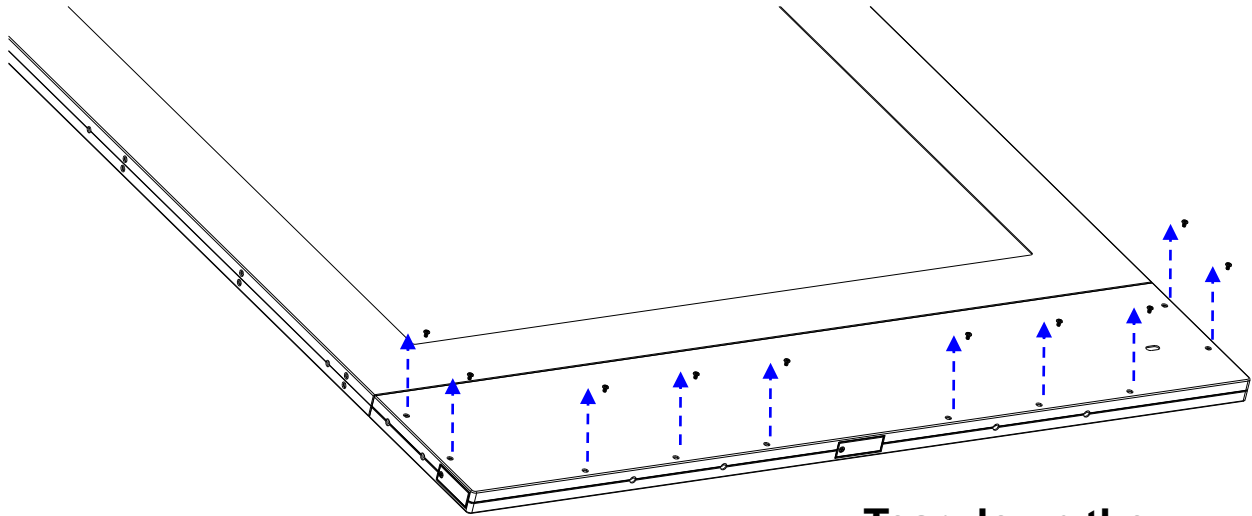
## 3.2 Step 2 : Remove the three I/O covers on the sides



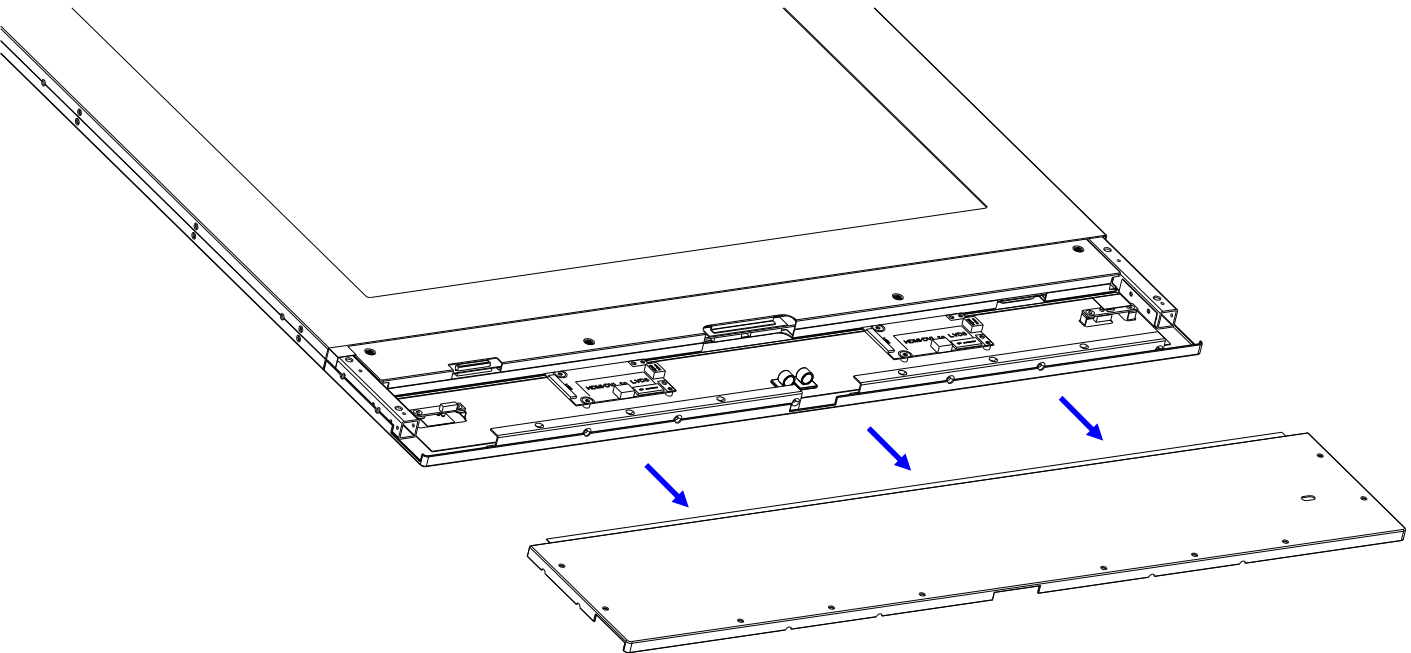
Remove I/O cover  
screws x 3 (M3x6mm)

# Setting Up The Display

## 3.3 Step 3 : Remove the downside cover

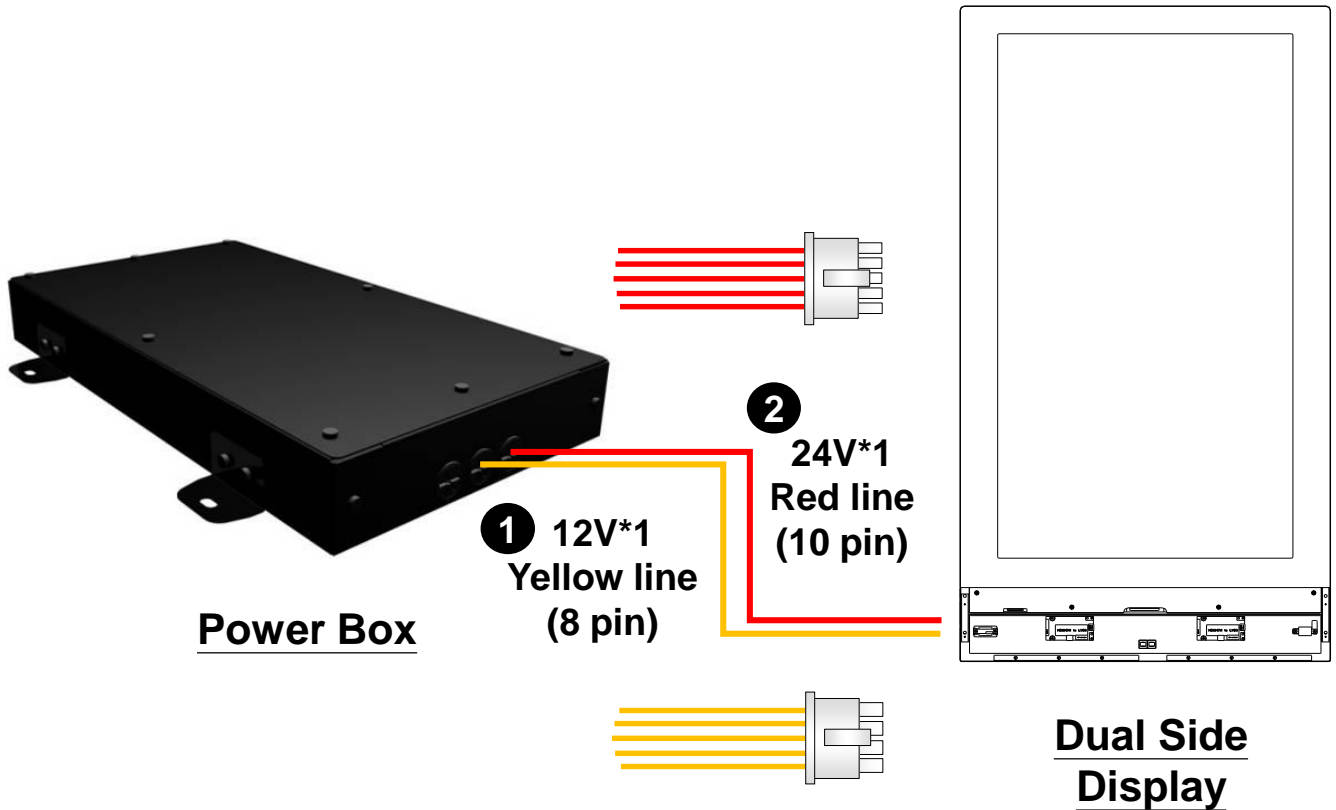


**Tear down the downside cover.  
screws x 10 (M3x6mm)**



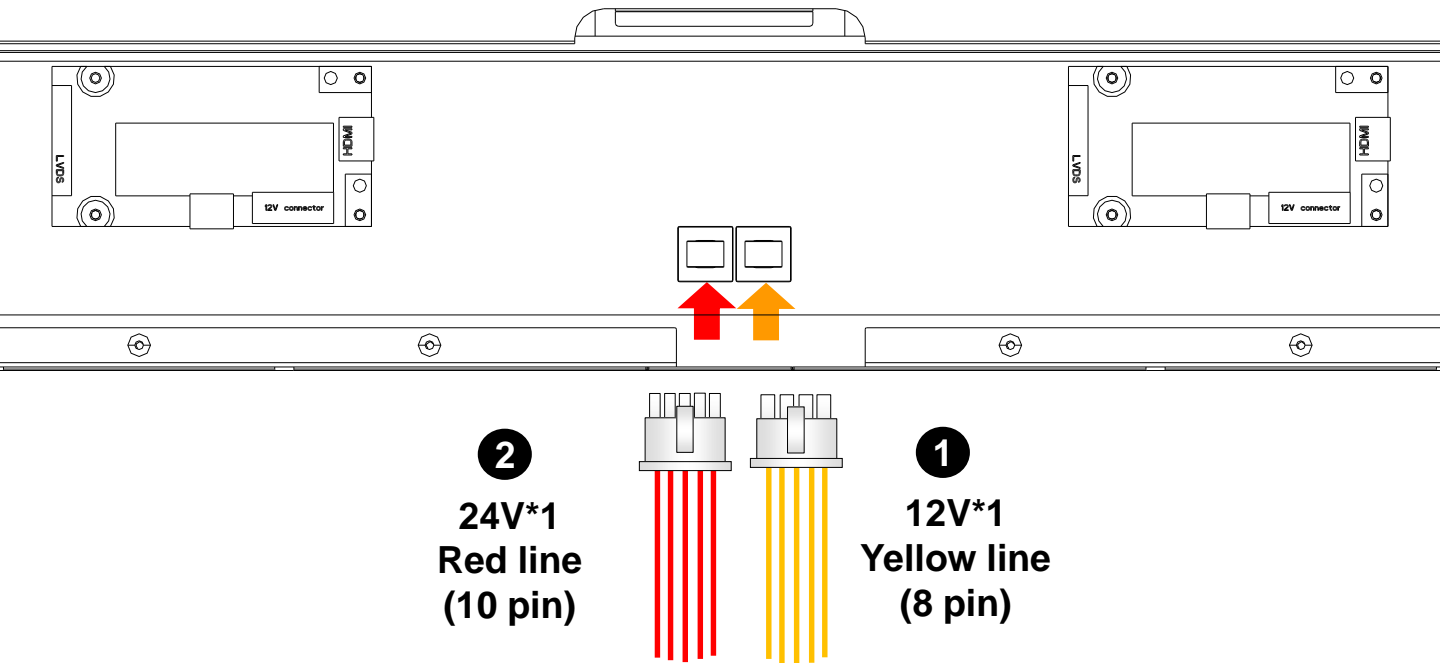
# Setting Up The Display

## 3.4 Step 4 : Connect Power Box to Dual Side Display



# Setting Up The Display

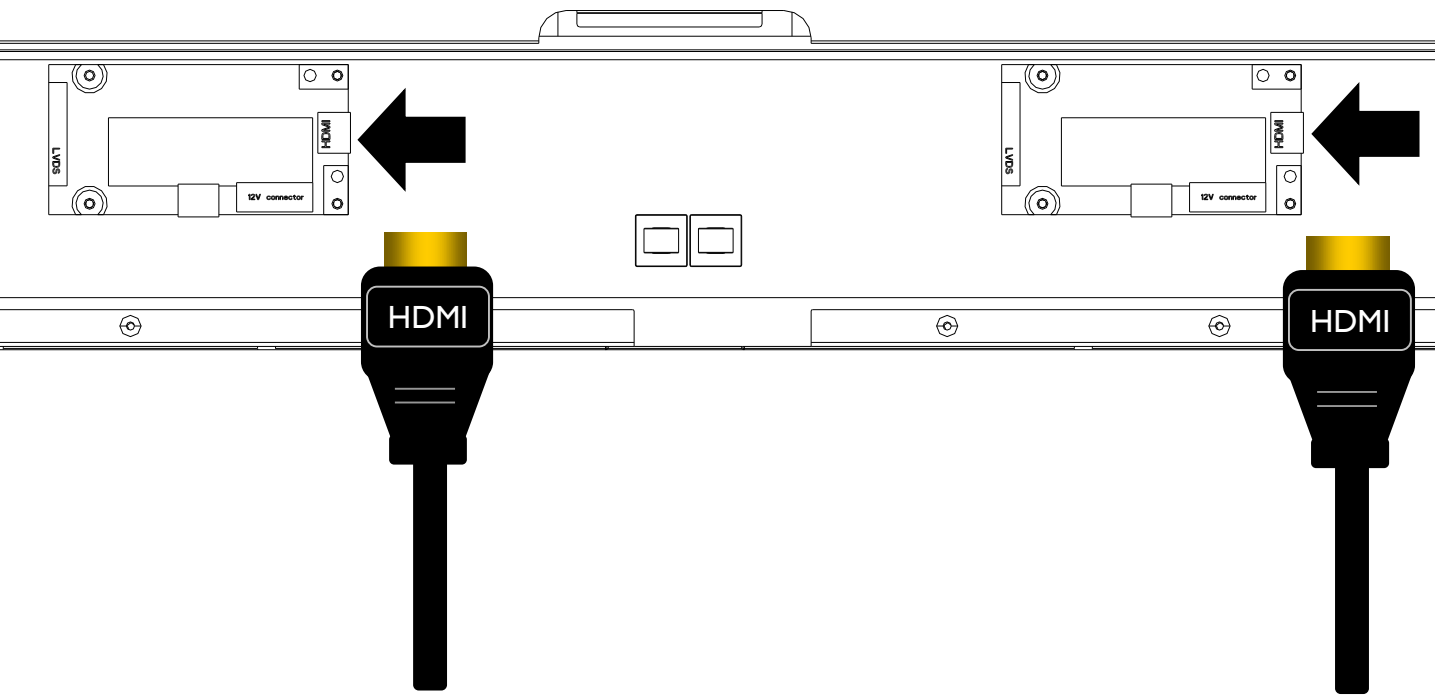
- 1 Connect the 12V (8 pin) power line
- 2 Connect the 24V (10 pin) power line



# Setting Up The Display

## 3.5 Step 5 : Connect by HDMI connector

**Plug two HDMI cables into the cabinet.  
And ensure that all cable plugs are firmly fitted to  
the equipment jacks.**

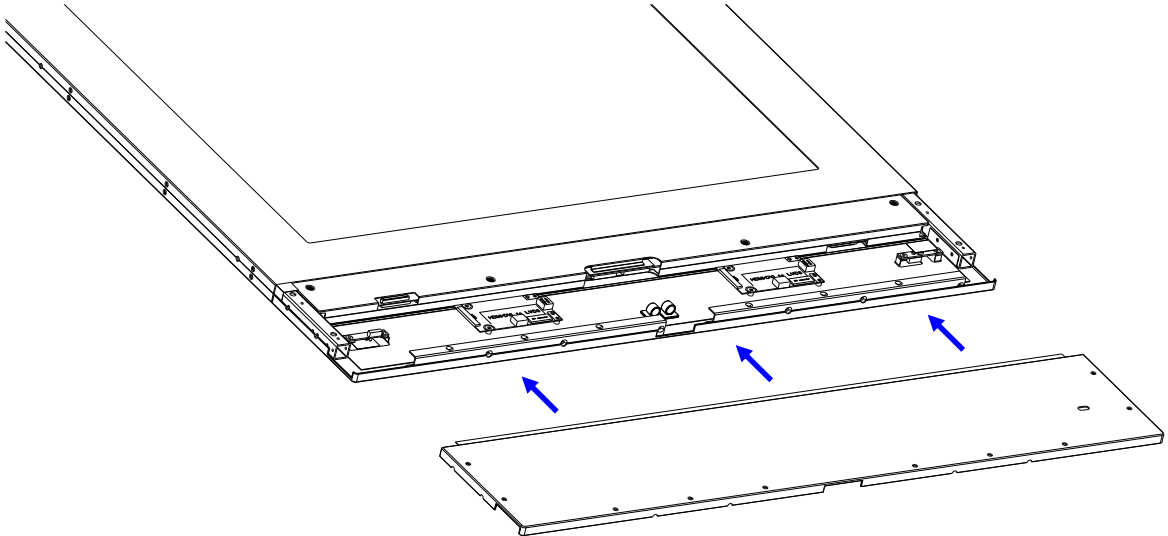


**Front Side (450 nits)**

**Back Side (450 nits)**

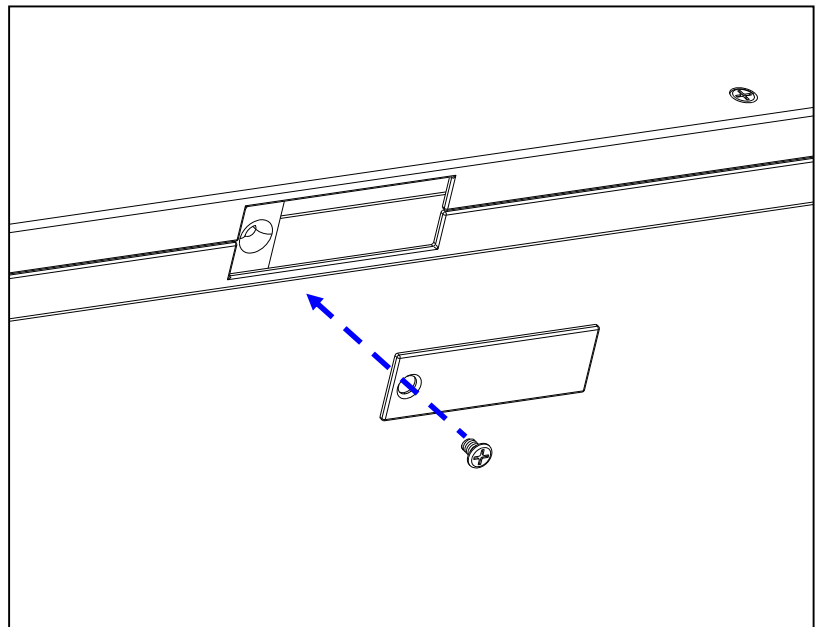
# Setting Up The Display

## 3.6 Step 6 : Reinstall the downside cover and I/O covers



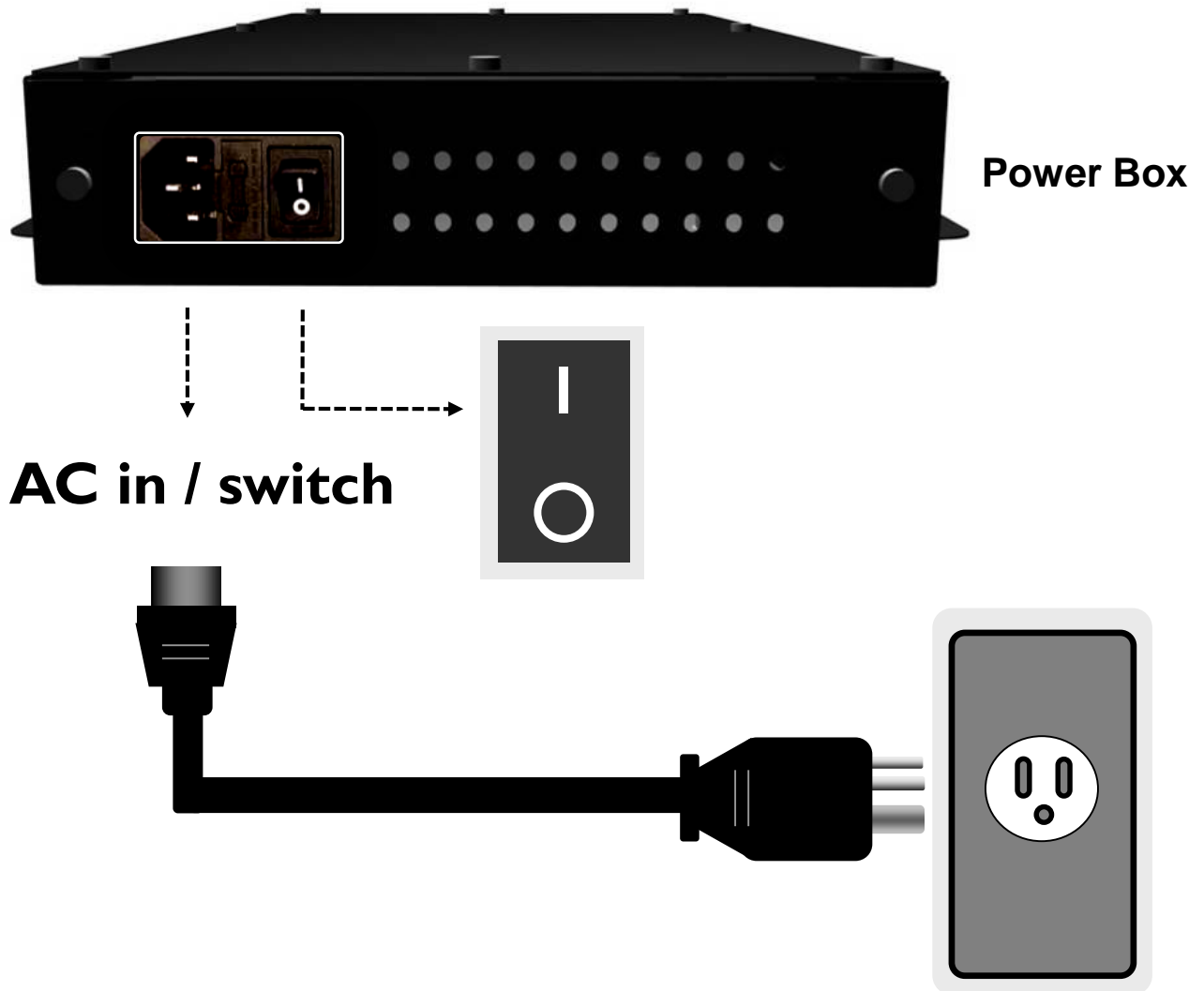
- 1 Reinstall the downside cover.  
screws x 10 (M6x30mm)

- 2 Reinstall the other  
two I/O covers  
which are not used.



# Setting Up The Display

## 3.7 Step 7 : Connect the power cord



**Plug in the power cable and turn on the AC power switch.**



# Setting Up The Display

## 3.8 Step 8 : Using the Remote Control



No.	Key	Descriptions
1	Power	Power on/Power off
2	Menu	Into OSD module
3	▲	Menu Up
4	▼	Menu Down
5	Exit	Menu/Exit selection

# Setting Up The Display

## 3.9 OSD Setting Menu

Press “MENU” into the OSD Setting Menu, and then press “UP” or “DOWN” to select the item, at last press “EXIT” to leave menu :



### Luminance

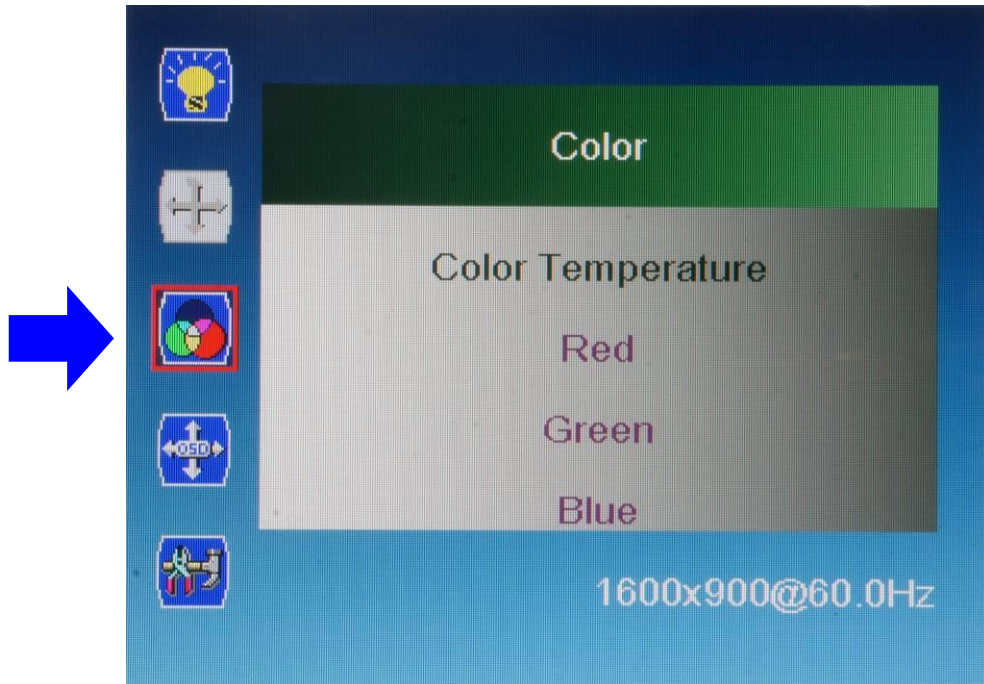
Press **MENU** to select one of the following, and then press “UP” or “DOWN” to select the desired level,

---**Brightness1**: Range: 0~100

---**Contrast**: Range: 0~100

# Setting Up The Display

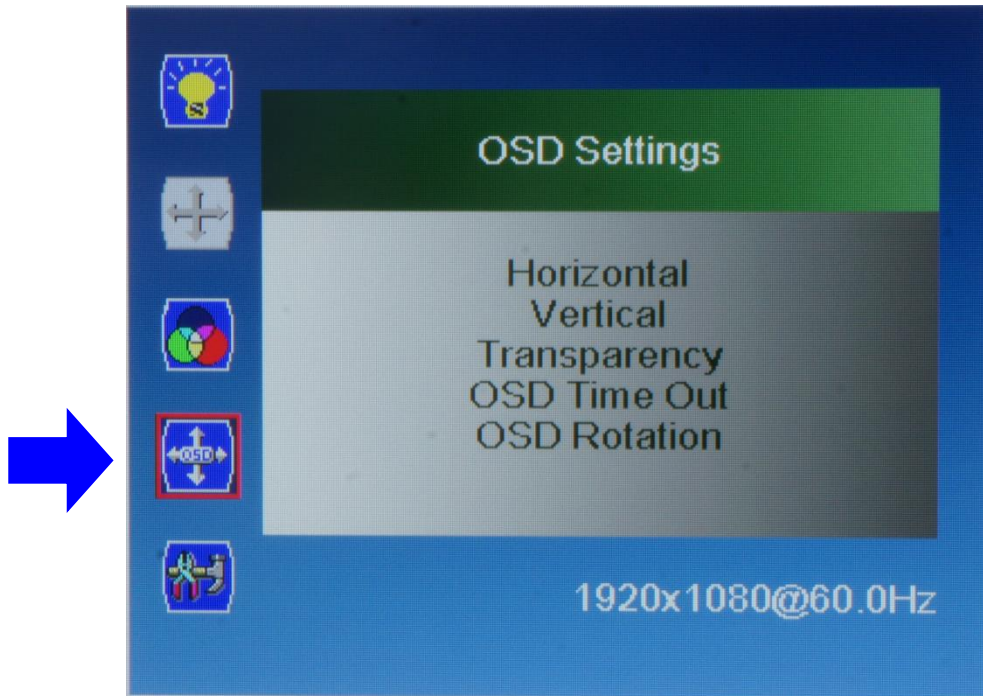
Press “MENU” into the OSD Setting Menu, and then press “UP” or “DOWN” to select the item, at last press “EXIT” to leave menu :



<b>Color</b>	Press <b>MENU</b> to select one of the following, and then press “ <b>UP</b> ” or “ <b>DOWN</b> ” to select the desired level, --- <b>Color Temperature: Range:</b> 6500K, 9300K, 11500K, User Define If you choose the <b>User Define</b> , you can adjust red, green, blue gain and red, green blue offset; --- <b>Red:</b> 0~100 --- <b>Green:</b> 0~100 --- <b>Blue:</b> 0~100
--------------	---

# Setting Up The Display

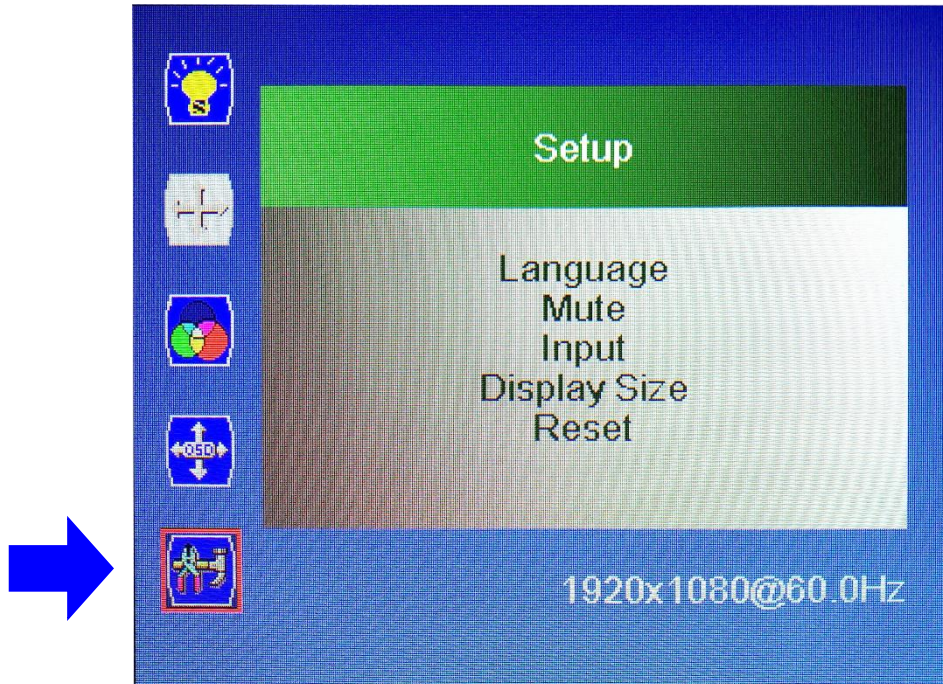
Press “MENU” into the OSD Setting Menu, and then press “UP” or “DOWN” to select the item, at last press “EXIT” to leave menu :



<b>OSD Settings</b>	Press <b>MENU</b> to select one of the following, and then press “UP” or “DOWN” to select the desired level, ---Horizontal: 0~100 ---Vertical: 0~100 ---Transparency: 0~4 ---OSD Time Out: 0~60 ---OSD Rotation: 0(0 °),1(90 °),2(270 °),3(360 °)
---------------------	--

# Setting Up The Display

Press “MENU” into the OSD Setting Menu, and then press “UP” or “DOWN” to select the item, at last press “EXIT” to leave menu :



<b>Setup</b>	Press <b>MENU</b> to select one of the following, and then press “ <b>UP</b> ” or “ <b>DOWN</b> ” to select the item , --- <b>Language:</b> English / Español / Français / Deutsch / Italiano / Português / Русский / 简体中文 / 日本語 / 繁體中文 --- <b>Mute:</b> for speaker model --- <b>Input:</b> HDMI / VGA (For VGA Model) --- <b>Display Size:</b> Full Screen / Smart Fit / 4:3 / Smart4:3 --- <b>Reset:</b> No / Yes
--------------	---

# Trouble shooting

Symptom	Possible Cause	Remedy
No picture is displayed	<ol style="list-style-type: none"> <li>1. The power cord is disconnected.</li> <li>2. The main power switch on the back of the display is not switched on.</li> <li>3. The selected input has no connection.</li> <li>4. The display is in standby mode.</li> </ol>	<ol style="list-style-type: none"> <li>1. Plug in the power cord.</li> <li>2. Make sure the power switch is switched on.</li> <li>3. Connect a signal connection to the display.</li> </ol>
Interference displayed on the display or audible noise is heard	Caused by surrounding electrical appliances or fluorescent lights.	Move the display to another location to see if the interference is reduced.
Color is abnormal	The signal cable is not connected properly.	Make sure that the signal cable is attached firmly to the back of the display.
Picture is distorted with abnormal patterns	<ol style="list-style-type: none"> <li>1. The signal cable is not connected properly.</li> <li>2. The input signal is beyond the capabilities of the display.</li> </ol>	<ol style="list-style-type: none"> <li>1. Make sure that the signal cable is attached</li> <li>2. Check the video signal source to see if it is beyond the range of the display. Please verify its specifications with this display's specification section.</li> </ol>
After-Images can still be seen on the display after the display is powered off.	A still picture is displayed for an over extended period of time.	Do not allow a still image to be displayed for an extended period of time as this can cause a permanent after-image to remain on the display.



# Specifications

DS-55		
Panel	Panel Type	LED-Backlit TFT LCD (VA Technology)
	Panel Size	54.6"
	Max. Resolution	FHD 1920 x 1080
	Pixel Pitch	0.630 mm
	Brightness	700 cd/m <sup>2</sup>
	Contrast Ratio	4000:1
	Viewing Angle (H/V)	178°/178°
	Display Colour	1.07B
	Response Time	5 ms
Frequency (H/V)	H Freq.	30 kHz-92 kHz
	V Freq.	49 Hz-85 Hz
Input	HDMI	1.4 x 2
Power	Power Supply	Internal
	Power Requirements	AC 100-240V, 50/60 Hz
	On Mode	192W (On)
	Stand-by Mode	< 2W
	Off Mode	< 1W
Operating Conditions	Temperature	0°C-40°C (32°F-104°F)
	Humidity	20%-80% (non-condensing)
Storage Conditions	Temperature	-10°C-50°C (14°F-122°F)
	Humidity	20%-80% (non-condensing)

# Specifications

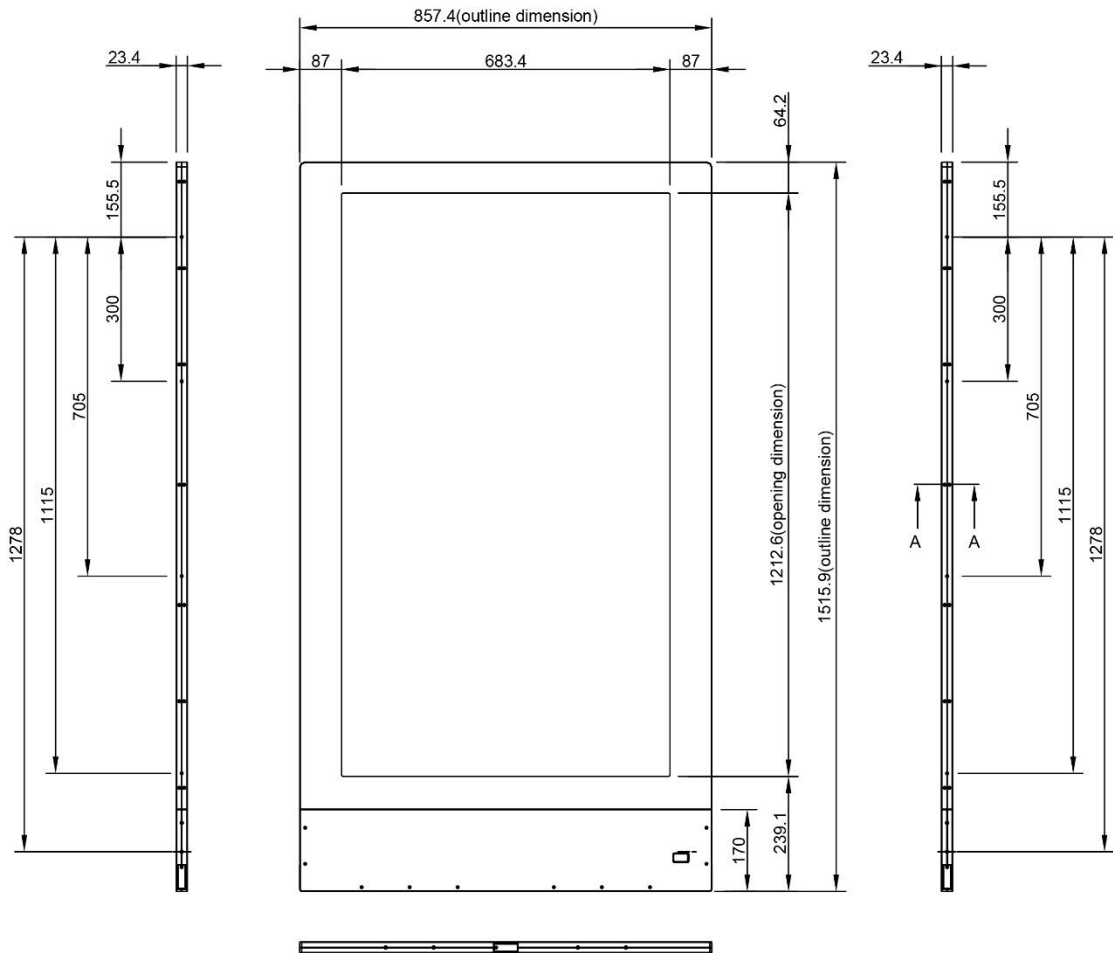
DS-55		
Dimensions	Product w/o Base (W x H x D)	<b>Display</b> 857.4 x 1515.9 x 23.4 mm (33.8" x 59.7" x 0.9") <b>Power Box</b> 280.0 x 406.0 x 55.0 mm (11.0" x 16.0" x 2.2")
	Packaging (W x H x D)	1618.0 x 970.0 x 249.0 mm (63.7" x 38.2" x 9.8")
Weight	Product w/o Base	<b>Display</b> 45.5 kg (100.3 lb) <b>Power Box</b> 4.0 kg (8.8 lb)
	Packaging	56.5 kg (124.6 lb)

## Note:

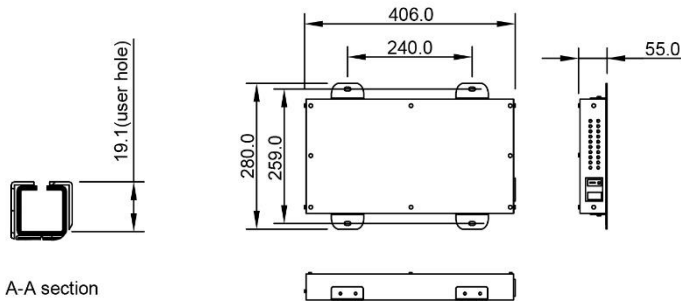
- ◆ All specifications are subject to change without prior notice.



# Product Dimensions



## Power Box



## AG Neovo

Company Address: 5F-1, No. 3-1, Park Street, Nangang District, Taipei, 11503, Taiwan.

Copyright © 2019 AG Neovo. All rights reserved.

DS55A0\_UM\_V012