

# DR-2202 22" DENTAL LCD MONITOR

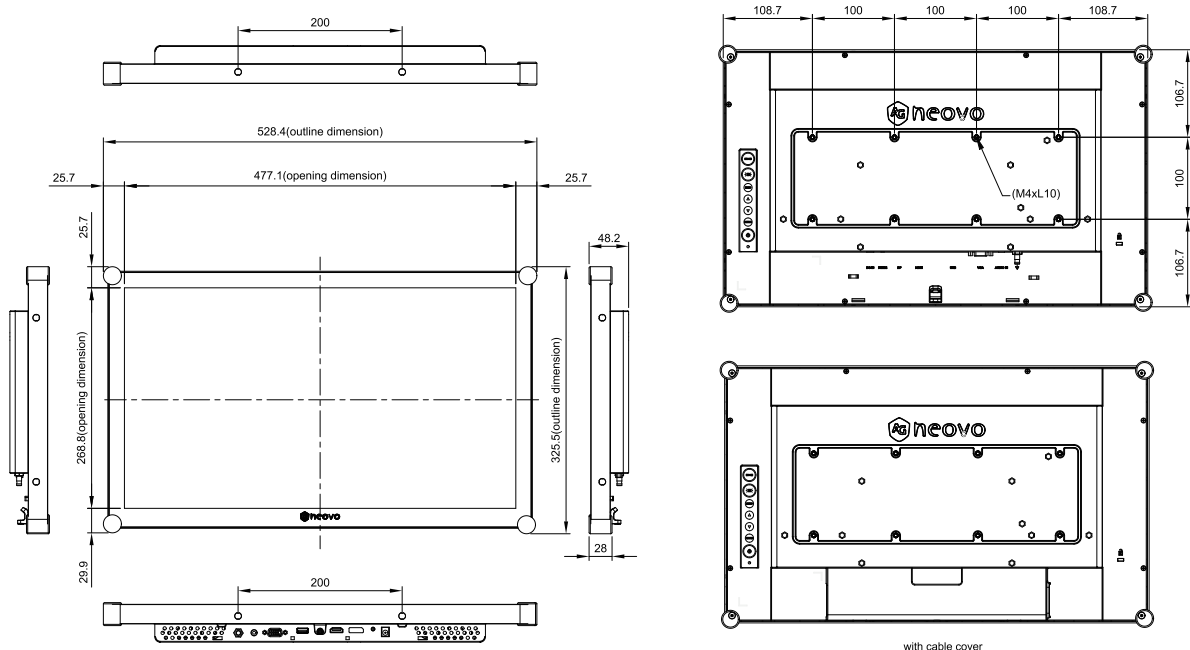
## FEATURES



- **Enhanced Safety:** IEC/EN 60601-1 & IEC/EN 60601-1-2 compliance ensures adherence to stringent medical safety standards.
- **Reliable Imaging:** Integrated DICOM preset mode delivers consistent grayscale and brightness for accurate medical assessments.
- **Durable and Easy to Clean:** NeoV™ Optical Glass, with IP65 water/dust resistance and IK07 impact resistance, offers enhanced durability and ease of cleaning for demanding dental environments.
- **Exceptional Image Quality:** 8-bit color depth and  $\Delta E \leq 2$  accuracy ensure precise color reproduction for accurate dental imaging.
- **Optimized Design for On-Chair Treatment:** Lightweight design, universal mounting, and dedicated accessories are provided for flexible and efficient use.
- **Streamlined Workflow:** Dedicated shortcut for X-ray film viewing and a comprehensive connection hub (VGA, DisplayPort, HDMI, speakers) optimize workflow.
- **Extensive Display Control:** RS232 and PID Command & Ctrl software.
- **Eco-Design:** Reduced packaging and use of durable materials contribute to a sustainable footprint.

The DR-2202 is a specialized 22-inch medical-grade monitor designed to meet the rigorous demands of modern dental practices. Its superior image quality features the pre-set DICOM modes, 8-bit color depth, and  $\Delta E \leq 2$  accuracy, ensuring precise diagnosis and improved clinical outcomes. Built for durability and easy maintenance, the monitor incorporates NeoV™ Optical Glass, offering IP65 water/dust resistance and IK07 impact resistance, allowing for thorough cleaning and disinfection. To enhance workflow, the DR-2202 integrates RS-232 connectivity and a comprehensive connection hub. It improves patient communication and overall practice efficiency.

## TECHNICAL DRAWING



## SPECIFICATIONS

<b>Panel</b>	
Panel Type	LED-Backlit TFT LCD (IPS Technology)
Panel Size	21.5"
Max. Resolution	FHD 1920 x 1080
Pixel Pitch	0.248 mm
Brightness	500 cd/m <sup>2</sup>
DICOM Brightness	300 cd/m <sup>2</sup> (Preset)
Contrast Ratio	1000:1
Viewing Angle (H/V)	178°/178°
Display Colour	16.7M (True 8 bits)
Response Time	5 ms
Surface Treatment	Anti-Glare Treatment (Haze 25%), 3H Hard Coating
<b>Frequency</b>	
Frequency (H)	31 kHz ~ 84 kHz
Frequency (V)	56 Hz ~ 75 Hz
<b>Signal Input</b>	
DisplayPort	x 1
HDMI	1.4 x 1
VGA	15-Pin D-Sub x 1
<b>External Control</b>	
RS232 In	Stereo Audio Jack (3.5 mm)
<b>Other Connectivity</b>	
USB	2.0 x 1 (Service Port)
<b>Audio</b>	
Audio In	Stereo Audio Jack (3.5 mm)
Internal Speakers	3W x 2
<b>Power</b>	
Power Supply	External
Power Requirements	DC 12V, 5.0A
On Mode	15W (On)
Standby Mode	< 0.5W
Off Mode	< 0.3W
<b>Glass</b>	
Thickness	1.8 mm
Reflection Rate	< 1%
Transmission Rate	> 97%
MOHS Hardness	6
Pencil Hardness	9H
IK Rating	IK07
<b>Operating Conditions</b>	
Temperature	0°C-40°C (32°F-104°F)
Humidity	10%-90% (non-condensing)
<b>Storage Conditions</b>	
Temperature	-20°C to 60°C (-4°F-144°F)
Humidity	5%-95% (non-condensing)
<b>Mounting</b>	
VESA FPMPI	Yes (100 x 100 mm & 300 x 100 mm)
<b>Security</b>	
Kensington Security Slot	Yes
<b>Dimensions</b>	
Product w/o Base (W x H x D)	528.4 x 325.5 x 48.2 mm (20.8" x 12.8" x 1.9")
Packaging (W x H x D)	610.0 x 405.0 x 160.0 mm (24.0" x 15.9" x 6.3")
<b>Weight</b>	
Product w/o Base	4.7 kg (10.4 lb)
Packaging	6.45 kg (14.2 lb)
<b>Regulation Approval</b>	
Certifications & Compliance	CE, LVD, FCC, ICES 003 Issue7, WEEE, RoHS, REACH, EAC, IEC/EN 60601-1, IEC/EN 60601-1-2
Power Adaptor Certifications	CE, BSMI, CCC, CB, WEEE, cUL, FCC, PSE, IEC/EN 60601-1, IEC/EN 60601-1-2
<b>Accessories</b>	
Supplied	HDMI Cable, Power Adaptor, Power Cord, Quick Start Guide
<b>Optional Accessories</b>	
Handle	HDL-03
Ceiling Mount	CMP-01 + WMK-03
Wall Mount	WMA-01, WMK-01, WMK-03, PMK-01
Desk Mount	DMC-01, DMC-02D, DMS-01D, ES-02 White

