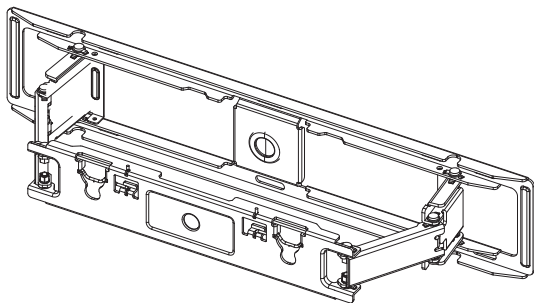




WMK-04 Installation Guide



Packing list:



magnet 4pcs



$\phi 3 \times 12$ stainless steel screw 4pcs



M6*8 screw 2pcs



magnetic pad 4pcs



$\phi 4 \times 30$ screw 4pcs



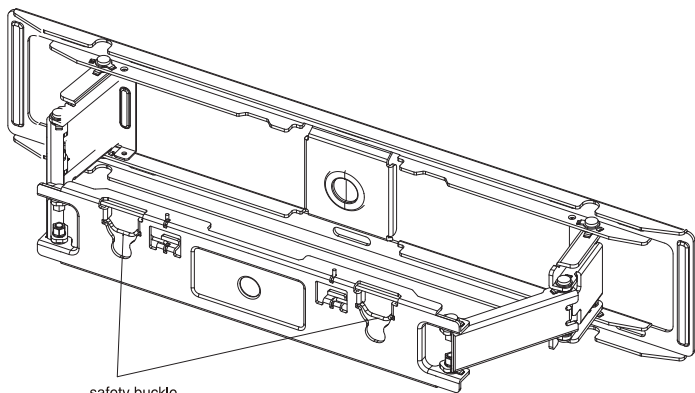
$\phi 4 \times 30$ screw expansion plug 4pcs



$\phi 5 \times 60$ screw 8pcs



$\phi 5 \times 60$ screw expansion plug 8pcs



safety buckle

hanger body

Note: In order to properly guide the installation of this bracket, please read the installation instruction carefully when installing it. Please call an authorized installation company to install this bracket. Please contact us if you are unsure about anything when reading or using this manual.



30kg

Maximum load capacity

Safety Information

For using this product properly and safely, please follow the contents of the Installation and Operation Manual to install. This wall mount can carry a maximum weight of 30KG.

Important safety information for both installer and user

Installer:

Before start the installation, read the safety information and the rest of this product manual carefully. Failure to read, thoroughly understand, and follow all instructions can result in serious personal injury, damage to equipment!

User:

Please carefully to read the safety information and user manual (if included) before using the product to ensure a failure-free working unit and avoid accidents.

Mechanical Safety

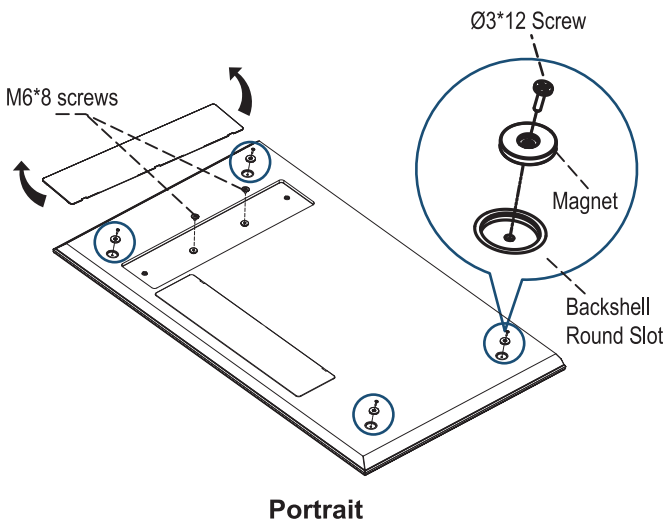
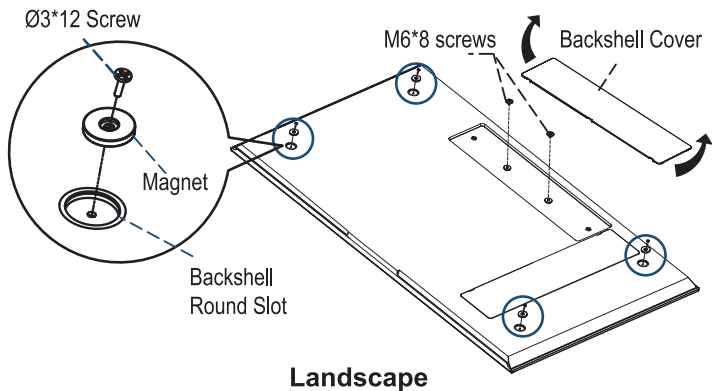
Exceeding the weight capacity can result in serious personal injury or damage to equipment.

It is the installer's responsibility to make sure the total weight include accessories does not exceed the maximum load of 66.1 lbs / 30 kg. The installation, maintenance and un-installation of the product should be handled by trained professional and skilled personnel.

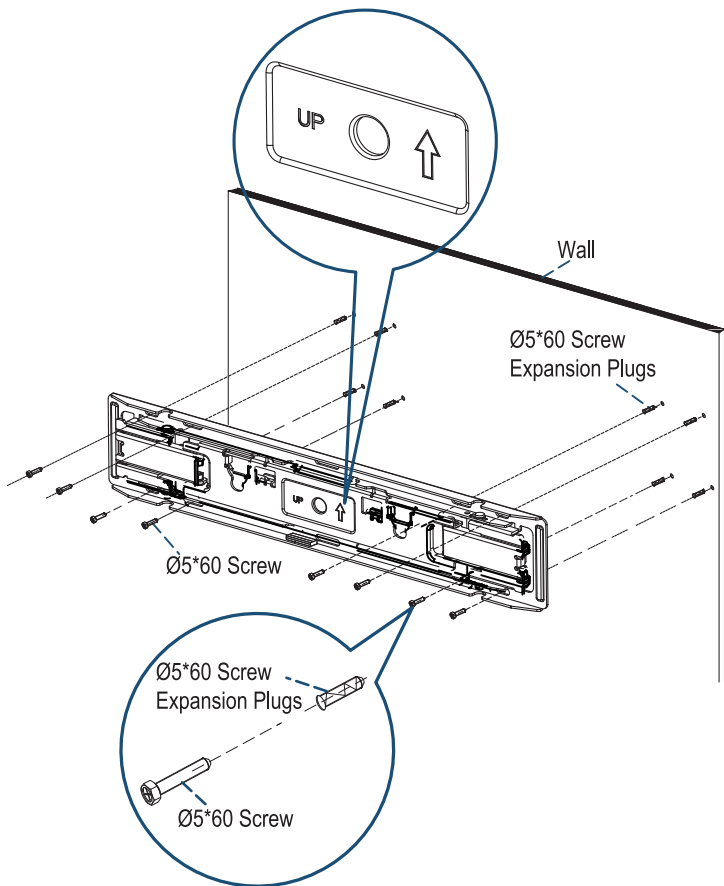
1. At least two professionals are required to perform the installation.
2. The install position should be measured/specified by professional to ensure the strength can support the weight of Larger Format Display and external forces. Do not install at decorative materials or carboard, away from the children can reach.
3. Make sure the metal parts and screws are connected tightly to avoid falling off and personal injuries.
4. Avoid any gradient surfaces or ceiling installaitons to avoid accidents.
5. Avoid to install the wall mount in places where are within force electricity, strong magnetic, easily cause noise and vibration, flammable gas leak, strong wind, moisture, high-temperature, or direct strong light environments.
6. Avoid to install the wall mount in places with bad conditions, such as heavy smoke, strong wind, moisture, high-temperature, or direct strong light environments.
7. Make sure the metal parts and screws are connected tightly, to prevent falling off and personal injuries.

Installation

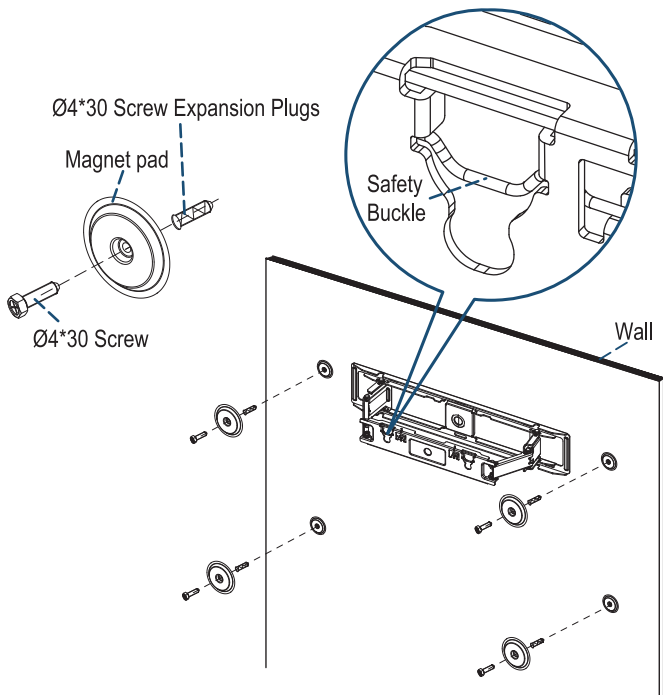
1 Lock the screws



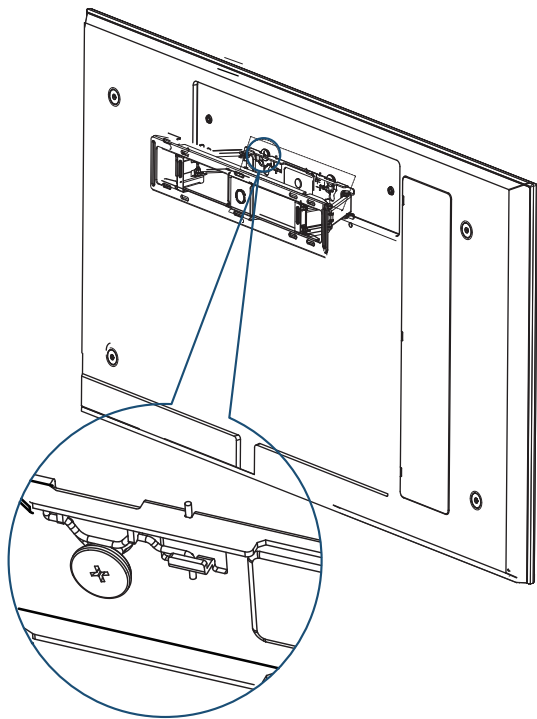
- 2** Use a level to mount the wall mount horizontally on the wall with arrow facing up.



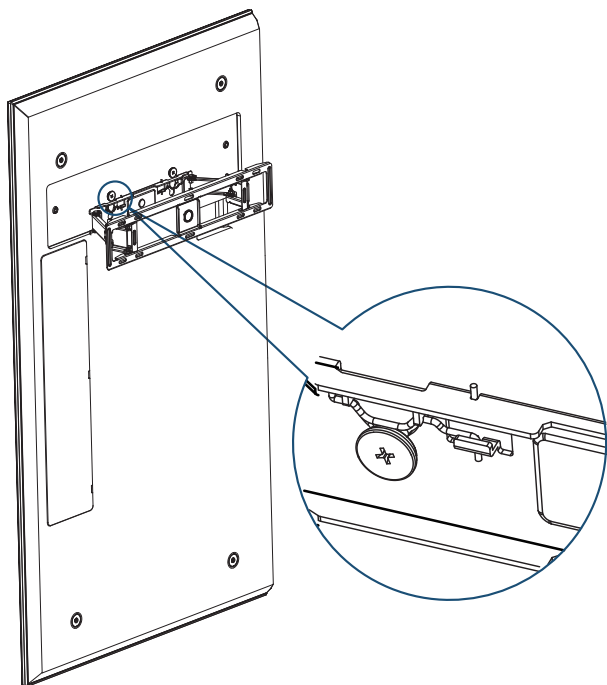
- 3** Extend the wall mount to maximum and unlock the Safety buckle to observe the alignment of display back cover screws and bracket hook slots.



- 4** Hang the M6 screws into wall mount recesses, press the Safety buckle back, organize display cables into the alignment slots.



Landscape



Portrait