

DW2702 27-INCH 1440P USB-C DOCKING MONITOR WITH ERGONOMIC STAND

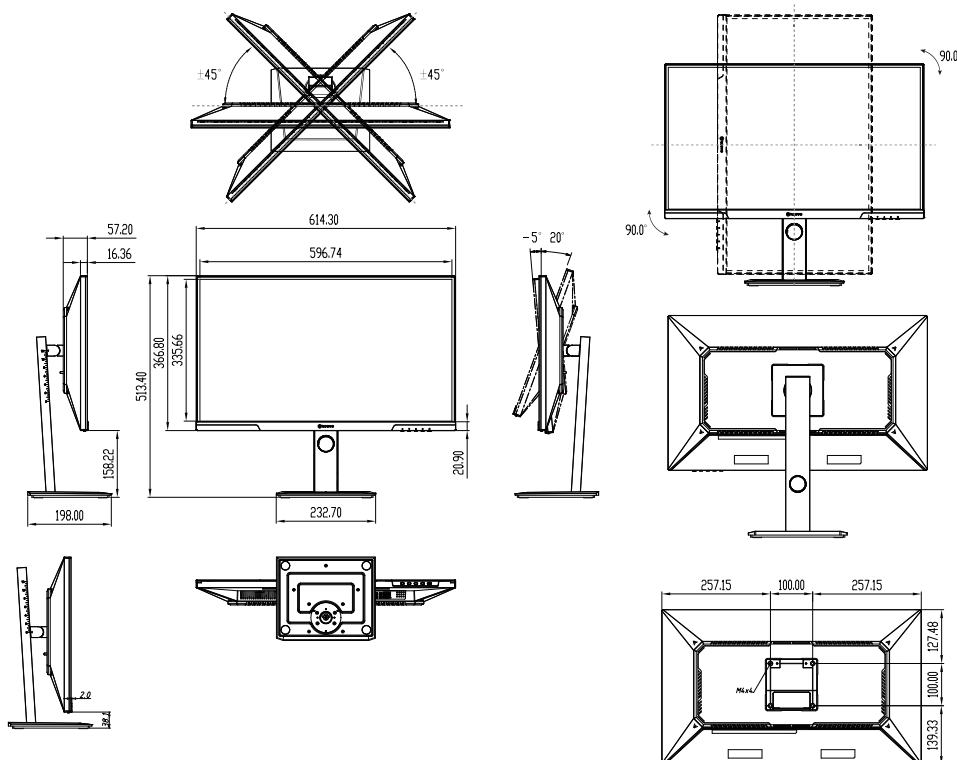


FEATURES

- Crisp WQHD 2560 x 1440 resolution for clear, detailed visuals.
- USB Type-C one-cable connectivity provides up to 65W charging power, video, audio and data transmission.
- Wide color gamut with 122% sRGB, 105% NTSC, 103% AdobeRGB, and 96% DCI-P3
- Two USB 2.0 Type-A ports for easy peripheral connections.
- RJ45 Ethernet port connects to a wired network and shares it with your laptop via USB Type-C.
- Adjustable tilt, swivel, pivot, and height for comfortable viewing.
- IPS panel delivers clear, accurate images from any angle.
- Wide color gamut for vibrant, true-to-life colors.
- HDR: HDR400 readiness enhances viewing with greater color, contrast and brightness levels.
- Eye care features, including Flicker-Free and Blue Light Filter, reduce eye strain.
- Multiple connections, including HDMI, DisplayPort 1.4, and USB Type-C.
- Built-in 2W x 2 speakers for convenient audio.
- 100 x 100 mm VESA mount support for flexible installation.

The DW2702 is a versatile 27-inch monitor built to boost productivity in both office and home settings. Its WQHD 2560 x 1440 resolution delivers sharp image clarity, ideal for everything from document editing to creative design. USB Type-C connectivity enables power, video, audio, and data transfer through a single cable, with additional USB Type-A and RJ45 ports for enhanced connectivity. The built-in Ethernet port provides a stable internet connection when linked to your laptop via USB Type-C. The ergonomic design, with adjustable tilt, swivel, pivot, and height, ensures all-day comfort. With eye care features and a wide color gamut, the DW2702 is designed for modern professionals.

TECHNICAL DRAWING



SPECIFICATIONS

Panel

| | |
|---------------------|--|
| Panel Type | LED-Backlit TFT LCD (IPS Technology) |
| Panel Size | 27" |
| Max. Resolution | WQHD 2560 x 1440 |
| Pixel Pitch | 0.233 mm |
| Brightness | 350 cd/m ² |
| Contrast Ratio | 1,000,000:1(DCR) |
| Viewing Angle (H/V) | 178°/178° |
| Display Colour | 16.7M |
| Response Time | 5 ms |
| Surface Treatment | Anti-Glare Treatment (Haze 25%), 3H Hard Coating |

Frequency

| | |
|---------------|----------------|
| Frequency (H) | 31 kHz-146 kHz |
| Frequency (V) | 48 Hz-100 Hz |

Signal Input

| | |
|-------------|-------------------|
| DisplayPort | 1.4 x 1 |
| HDMI | 2.0 x 1 |
| Type-C | 3.1 x 1 (PD 65W) |

External Control

| | |
|------|-----|
| RJ45 | x 1 |
|------|-----|

Other Connectivity

| | |
|-----|----------------|
| USB | Type-A 2.0 x 2 |
|-----|----------------|

Audio

| | |
|-------------------|----------------------------|
| Audio Out | Stereo Audio Jack (3.5 mm) |
| Internal Speakers | 2W x 2 |

Power

| | |
|--------------------|------------|
| Power Supply | External |
| Power Requirements | DC 24V, 5A |
| On Mode | 22W (On) |
| Standby Mode | < 0.5W |
| Off Mode | < 0.3W |

Operating Conditions

| | |
|-------------|--------------------------|
| Temperature | 0°C-40°C (32°F-104°F) |
| Humidity | 10%-90% (non-condensing) |

Storage Conditions

| | |
|-------------|-------------------------|
| Temperature | -20°C-60°C (-4°F-140°F) |
| Humidity | 5%-95% (non-condensing) |

Mounting

| | |
|--------------|--------------------|
| VESA FPM/PMI | Yes (100 x 100 mm) |
|--------------|--------------------|

Stand

| | |
|-------------------|------------|
| Tilt | -5° to 20° |
| Pivot | 0° to 90° |
| Swivel | ± 45° |
| Height Adjustment | 0-120 mm |

Dimensions

| | |
|-------------------------------|---|
| Product with Base (W x H x D) | 614.3 x 513.4 x 198.0 mm (24.2" x 20.2" x 7.8") |
| Product w/o Base (W x H x D) | 614.3 x 366.8 x 57.2 mm (24.2" x 14.4" x 2.3") |
| Packaging (W x H x D) | 861.0 x 460.0 x 170.0 mm (33.9" x 18.1" x 6.7") |

Weight

| | |
|-------------------|------------------|
| Product with Base | 5.7 kg (12.6 lb) |
| Product w/o Base | 3.7 kg (8.2 lb) |
| Packaging | 7.5 kg (16.5 lb) |

Regulation Approval

| | |
|-----------------------------|---------------------------------------|
| Certifications & Compliance | CE, LVD, RoHS, WEEE, REACH, UKCA, EAC |
|-----------------------------|---------------------------------------|

Accessories

| | |
|----------|---|
| Supplied | Power Adaptor, Power Cord, HDMI Cable, Quick Start Guide, USB-C Cable |
|----------|---|

Optional Accessories

| | |
|------------|--------------------------------|
| Desk mount | DMC-01, ES-02 |
| Wall Mount | PMK-01, WMA-01, WMK-01, WMK-03 |

