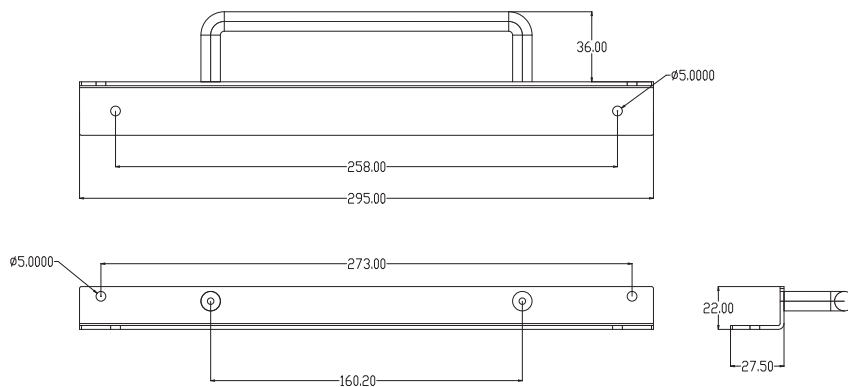


HDL-02

Handle for Clinical Review & Dental Monitors



Specifications

Compatible Models	Displays	DR-22/ DR-22E/ DR-22G/ DR-24G MX-22/ MX-24/ MX-2402 X-22E/ X-24E/ X-2402 RX-22G/ RX-24G HX-24G
Exterior	Material Colour	Metal White
Dimensions	Product (W x H x D) Packaging (W x H x D) (1 set)	295.0 x 63.5 x 22.0 mm (11.6" x 2.5" x 0.9") 320.0 x 75.0 x 40.0 mm (12.6" x 3.0" x 1.6")
Weight	Net Weight Gross Weight (1 set)	0.34 kg (0.75 lb) 0.38 kg (0.84 lb)
Packaging	1 Carton	20 pcs